

# Impulse QueueLane™

Maximize the effectiveness of  
your retail real estate



**siffron.**  
always on

# Impulse QueueLane™



Control Store Traffic



Increase Impulse Sales



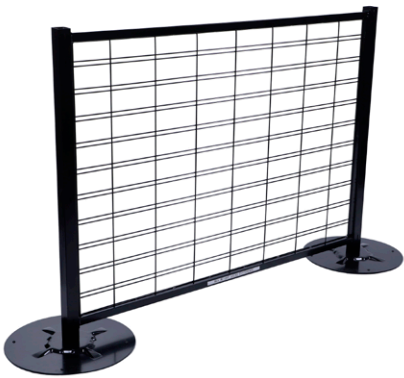
Less Perceived Wait Time



Customizable Configurations



## Base Configuration



The base kit of the Impulse QueueLane™ consists of two stanchions with pedestal bases and a single merchandise grid.

## Control traffic and maximize impulse sales!

The new Impulse QueueLane™ from siffron combines retail displays with queuing management in a sleek, effective system for retailers to revitalize their front end. Impulse QueueLane™ transforms customer lines into retail opportunities by offering more display space to showcase point-of-purchase impulse items or special product promotions. Retailers can make their checkout counters work for their bottom line by increasing sales and controlling store traffic.

- ◆ Increase sales of point-of-purchase items
- ◆ Entice customers waiting in line
- ◆ Control store traffic
- ◆ Highly configurable to suit any retail environment
- ◆ Easy to assemble; no tools required

## Impulse QueueLane™ Setup

**1:** Lock center grids into stanchions' designated slots.



**2:** Add additional stanchions and centerpieces as needed.





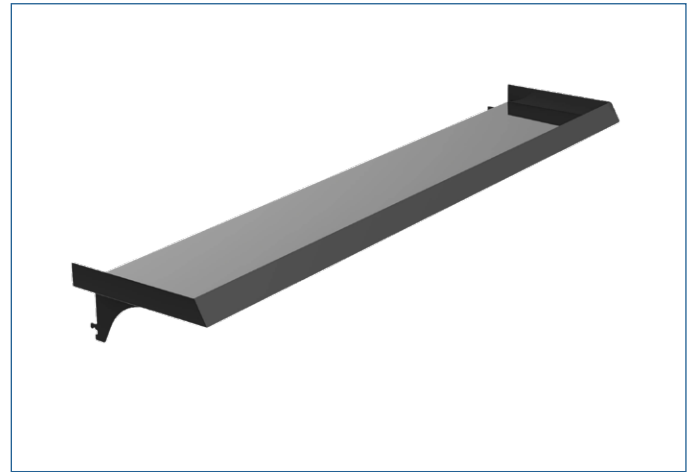
# Grid Options and Accessories

Along with the basic starter grid and expansion panels, siffron offers other optional kits and configurations, along with many accessories to accommodate a variety of merchandise.



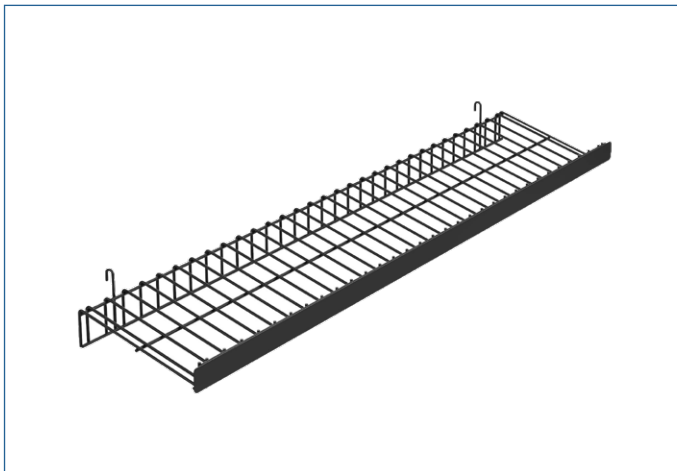
### Top Shelf

Wire shelf installs on top of the grid to create additional merchandising space.



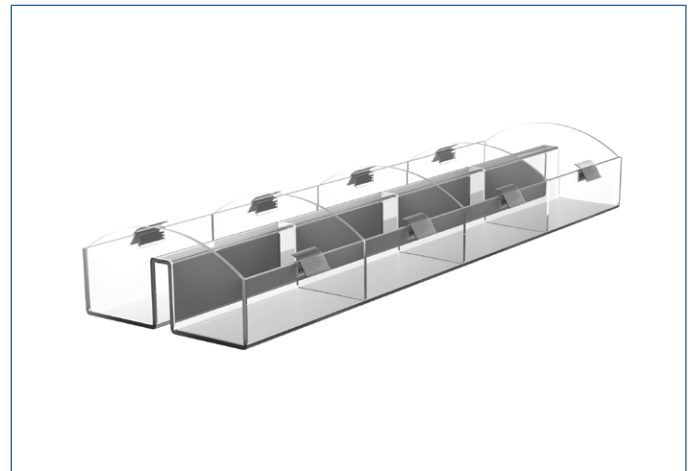
### Metal Shelf

Mounts on wire grid to merchandise products. Has front lip for price marking and sign placement.



### Wire Shelf

Mounts on wire grid to merchandise products. Has front lip for price marking and sign placement.



### Acrylic Bin Saddle

Plastic display bins sit on top of the grid assembly for additional merchandising space.



### Wire Bowls

Wire and clear plastic display bowls install on top of stanchions to showcase impulse items.



### Plastic Bowls



### Visi-Bins™

Plastic display bins for merchandising bulk items. Available in different sizes and shapes.



### Hooks

Wire grid and slatwall display hooks available in scan (shown here) and stem hook versions.



8181 Darrow Road  
Twinsburg, OH 44087

# Impulse QueueLane™

Control store traffic and  
maximize impulse sales!

2021.05.18

Ordering is easy!

Phone **800.422.2547**  
Fax **800.422.2502**  
Web **[www.siffron.com](http://www.siffron.com)**

call toll free in North America  
fax us your purchase order  
buy and find resources online

